

E-Brake Ergonomic

Bending with the E for ergonomic



Ergonomic

Bending with the E of ergonomic

SafanDarley is the new global brand of sheet metal working machines, created by the merger of Safan and Darley. SafanDarley represents a unique combination of expertise and innovative power.



SafanDarley offers innovative solutions for all types of sheet-metal working, applying revolutionary electronic or hydraulic technology. These innovations are the continuation of our previous milestones, such as the first CNCK servo-hydraulic brake press in 1980, the first servo-electronic brake press SMK in 1995, the first hybrid guillotine shearing machine in 1999 and the first fully-fledged electronic brake press, the original E-Brake, in 2004. This revolutionary machine concept started a global 'E-volution in sheet-metal working'. SafanDarley now offers a unique programme of electronic brake presses, from 20 to 300 tons of

pressure force. SafanDarley continues to work on new, more efficient solutions under the motto of 'the E-volution in sheet-metal working'. Among other things, this has resulted in the SafanDarley E-Brake Ergonomic.

The E-Brake Ergonomic

With its innovative E-Brake machine concept, SafanDarley has been making fast cycle times possible for years: up to 30% faster than with a conventional hydraulic press brake. The speed of the upper beam and the backgauge are already extremely high. In practice, increasing the movement speeds of the dynamic SafanDarley E-Brake even further would not lead to a significant reduction

of the cycle times. After all, a press brake cannot work faster than its operator. Therefore, SafanDarley primarily focuses on achieving the ideal collaboration between man & machine. The result is the new SafanDarley E-Brake Ergonomic.



The E-volution in sheet metal working

Man & machine as one unit, with the fastest cycle times

With the Ergonomic design of the E-Brake, SafanDarley enables the operator and the press brake to work as a unit. The operator is partially seated inside the machine, surrounded by an edging table with his legs in a spacious cut-away underneath the lower beam, where the foot pedal is located.

E-Brake
Ergonomic



The E-standard for Ergonomics



Working while standing up with the collapsible table



Working while sitting down

The ergonomic ease of operation is assured as the seating position can be adjusted as desired. The height and angle of the foot support is also adjustable. All actions of the bending cycle take place in one fluent sequence, as a result of which the shortest possible cycle times can be achieved.

More comfortable operation and increased productivity

Particularly when bending large quantities, it is an advantage to be able to work sitting down. Not only is it more comfortable for the operator, it also means that he or she will not tire as quickly. The sophisticated ergonomic facilities of the Ergonomic model

enable the operator to maintain a high output for a long time. This increases the productivity.

Flexible concept

The SafanDarley E-Brake Ergonomic can easily be adapted to changing work situations, such as a different product or a different operator. The seating position and the foot rest are adjustable, and the edging table can also be adjusted in four parts. This will enable you to achieve the perfect pick-up height, working height and cast-off height every time. In addition, the edging table can be fully or partially collapsed, enabling the operator to bend whilst standing up. Finally, the entire edging table can

easily be removed from the machine to make the front freely accessible. This allows you to use the E-Brake Ergonomic for larger sheet-metal work like you would a "regular" machine, making use of the support arms..

Moveable Touch Screen operation

Optimum ergonomics is a characteristic of the operation of the machine as well. The height of the rotating 17" Touch Screen is adjustable, and it can be placed to both the left and the right of the operator. This means that left-handed operators can use the machine with the same level of ease as right-handed operators.



Integrated safety with double function



E-Brake 35T 1250 NS Ergonomic



Integrated safety light screen



Adjustable table

An earlier SafanDarley innovation plays an important part in the integrated man & machine concept of the SafanDarley E-Brake Ergonomic: the double-function safety light screen that is integrated into the control panel. Its first function is to secure the bending zone, its second function allows the axis to move while the operator turns, picks up or removes the product. These simultaneous actions of the operator and machine lead to lightning-fast cycle times, with the highest level of safety. Particularly in the serial production of small parts, this integrated system facilitates an unrivalled work speed with optimum ease of operation.

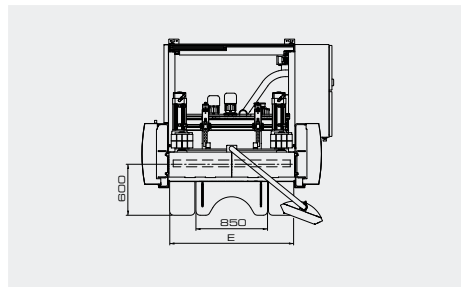
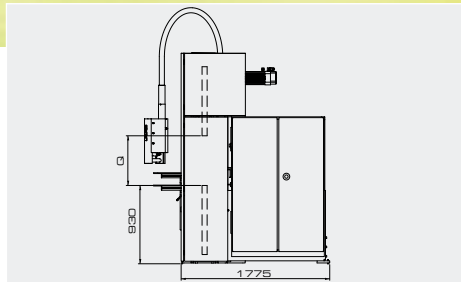
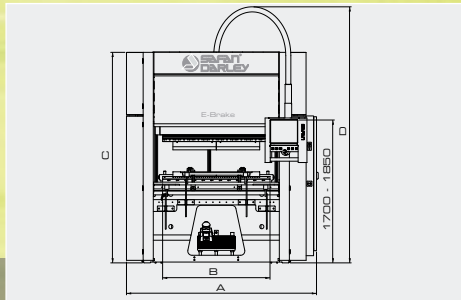
Full operating range

Thanks to the O-frame of the SafanDarley E-Brake Ergonomic, the innovative backgauge can be used across the full working length. The backgauge has a maximum depth of 1000mm and a height adjustment of 150mm. Combined with the possibility of setting the upper beam at a 5° angle, this means unparalleled flexibility. The backgauge comes with an X axis and an R axis as standard features, but can be expanded, depending on the model, with 5 optional axis.

Five ergonomic designs

The SafanDarley E-Brake Ergonomic is available in five different models. The E-Brake B 20T 850 ES & NS, the E-Brake B 35T 1250 ES & NS and the E-Brake 35T 1250. Every model offers specific possibilities, which means that it is always possible to construct the right machine for you. For a description and images of all the options, we refer you to the main brochures of the E-Brake and the E-Brake B.

Technical specifications SafanDarley E-Brake Ergonomic 20-35T



E-Brake Ergonomic	Pressure force in kN	Maximum stroke in mm	Q size in mm	Closing speed in mm/sec	Bending speed max. * in mm/sec	Return speed in mm/sec	Motor Power in kW	Weight in kg.	A (mm)	B (mm)	C (mm)	D (mm)	E (mm)
E-Brake B 20T-850 ES	200	150	465	150	10	150	7	2200	1855	850	2130	2810	850
E-Brake B 20T-850 NS	200	150	465	150	10	150	7	2200	1855	850	2130	2810	850
E-Brake 35T-1250	350	300	590	180	10*	180	11	3350	2230	1250	2510	3120	1470
E-Brake B 35T-1250 ES	350	300	650	110	10	110	11	3250	2230	1250	2510	3120	1470
E-Brake B 35T-1250 NS	350	300	590	110	10	110	11	3250	2230	1250	2510	3120	1470

* Optional max. bending speed 20 mm/sec.

(Subject to change)

Extra large daylight(opening) sizes

The standard daylight size of the SafanDarley E-Brake Ergonomic is very large already, but the E-Brake 35T 1250 can be supplied with an extra large daylight size of Q = 690mm. This offers even more freedom of choice in tools. Combined with the 300mm long stroke of the upper beam, this makes it possible to bend an enormous variety of products while sitting down. Sitting down, the operator can safely take every conceivable product in and out of the machine with ease. .

Characteristics of the E-Brake Ergonomic

- Worktable consisting of two parts (E-Brake 20T) or four parts (E-Brake 35T), that can be adjusted individually
- Mid section that can be put at an angle
- Work table that is easy to collapse, enabling you to work standing up
- Special pedal that enables you to work standing up and sitting down
- Foot support that can be adjusted in height and put at an angle
- Ergonomic seat (included)
- Lighting at the front of the machine
- Large, 590mm, 650mm or 690mm daylight size (depending on the model)
- Large stroke of 300 mm for the E-Brake 35T
- Backgauge range of up to 1000mm



Watch our corporate movie here:



Safan B.V., Kwinkweerd 11, NL-7241 CW Lochem
P.O. Box 96, NL-7240 AB Lochem, The Netherlands
Tel.: +31 (0)573 222 222, Fax: +31 (0)573 252 057

Darley B.V., Emmastraat 90, NL-6245 HZ Eijsden,
P.O. Box 4, NL-6245 ZG Eijsden, The Netherlands
Tel.: +31 (0)43-409 74 09, Fax: +31 (0)43-409 39 90

E-mail: info@safandarley.com, Website: www.safandarley.com

