

**HANGZHOU XIANGSHENG
ABRASIVE MACHINE MANUFACTURING CO., LTD.**

Tel: +86(0)571-8852 4367 Fax: +86(0)571-8852 4278
www.xs-sander.com info@xs-sander.com



JONSEN SANDER

- METAL FINISHING
- DEBURRING
- EDGE ROUNDING
- SLAG REMOVAL

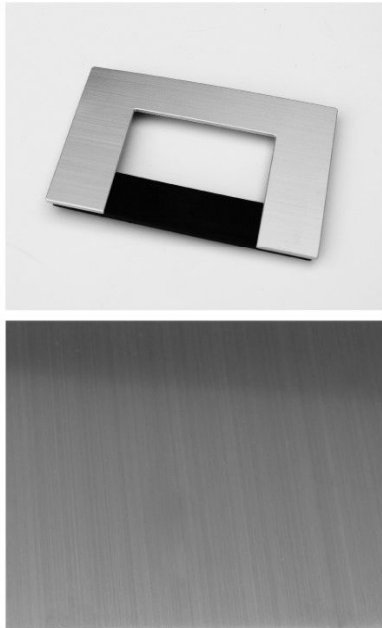
...



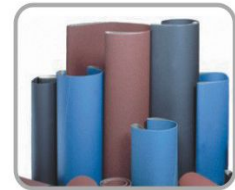
1

SG630-WJS+2B WET MACHINE WITH WIDE BELT, DEBURRING ROLLER AND BARREL BRUSH

For the decorative metal finishing and smooth surface.



- Typical No.4 finishing
- Brushing hairline finishing
- Punching and cutting parts edge rounding
- Top brush deburring unit available
- Cooling and filtration system



SG SERIES MACHINES



2

SGB1300 AUTOMATIC TWO-SIDE DEBURRING

Solution for the one-pass-two-side deburring and edge rounding for the cutting sheet&plate.

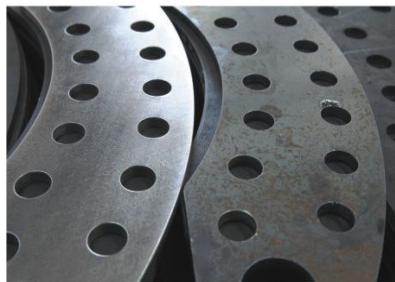


Combination

- G Station(Wide belt grinding) : Heavy duty type slag removal, oxide layer removal,surface finishing etc.
- B Station(Deburring blocks belts): Double sides perfect deburring, edge rounding, oxide layer removal on plate side etc.

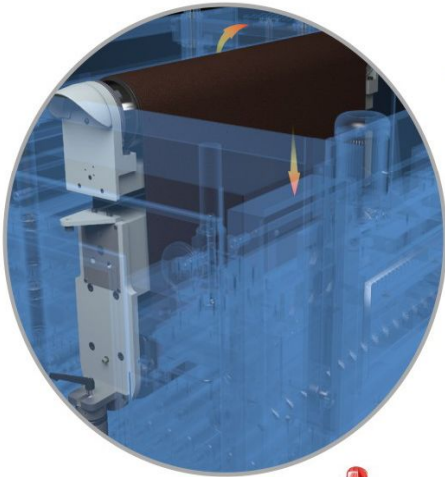


TYPICAL APPLICATION OF SGB1300

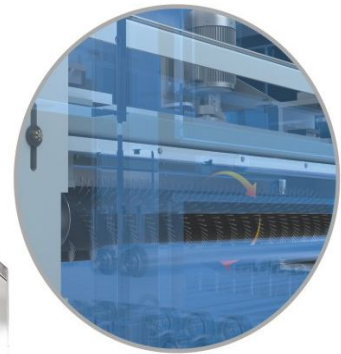


3

SGB1300 FEATURE



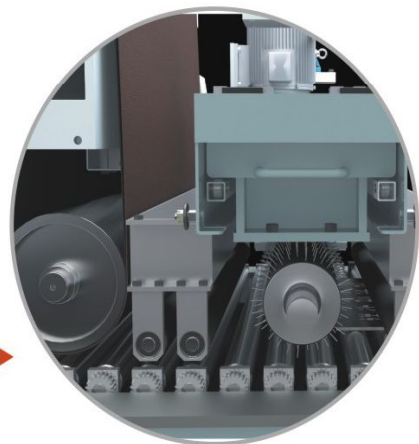
◀ Heavy duty type wide belt grinding and cutting system. Slag removal after laser cutting, plasma cutting, flame cutting. Fine and even surface finishing



▲ Jonsen's special toothed roller Heavy oxide layer scratching roller Rust removal Surface cleaning Deburring on edges.



◀ Deburring block belt. The block is using abrasive flap/nylon or steel wire or abrasive filament for various application. Edge rounding for the edge sharp parts after wide belt grinding. Combination of top and bottom function. Even and efficient edge rounding on side and edges.



Jonsen's modular design allows various combination of stations or machine for different type of cutting parts. ▶

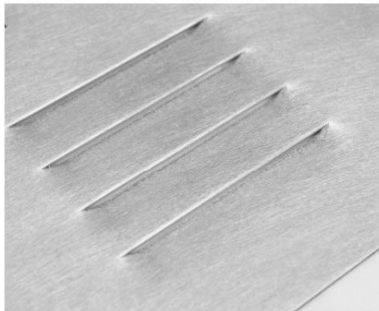
4

SGP1000 SGP1000 BELT GRINDING AND ABRASIVE STRIP ROLLER DEBURRING MACHINE

Fine deburring solution, vacuum feed system, flexible operation.

SGP1000 FEATURE

- The SGP1000 is used for the sheet metal surface even finishing and fine deburring for the turret punching and laser cutting parts.



FEATURE

- Passing through type feed by using vacuum sticky conveyer belt. No need of pinch roller etc.
- Perfect for the thin, small, flat and non magnetic type work piece. Jonsen's new technology: Combination of wide belt grinding and flexible abrasive strip roller deburring. Application: Belt grinding for the large vertical burrs removal, abrasive strip roller for the even deburring and surface grinding on every edge!
- Perfect deburring for the film coated work piece.



5 SGP1000 FEATURE



◀ Wide belt grinding unit and planetary type deburring unit. Used for the surface finishing and burrs removal for the sheet metal punching and cutting parts. No sharp edges. No burrs left on the holes. Perfect deburring for the film coated work piece and coating sheet.



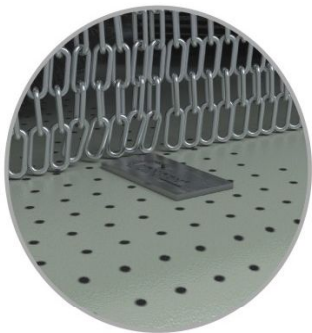
▲ Grinding, deburring and finishing by using different type of abrasive belt and abrasive strip roller.



▲ Wide belt grinding station: Slag removal and big burrs removal after laser cutting available.

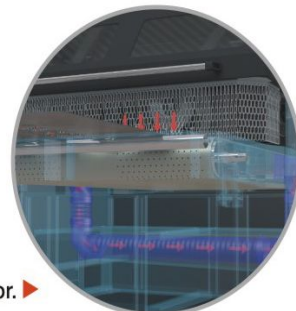
Planetary type deburring unit: Variable speed for various application of different type of material.

Jonsen's modular design allows various combination of stations or machine for different type of cutting parts.



▲ Vacuum sticky conveyer belt. No need of pinch roller or other fixture.

Perfect for the thin, small, flat and non magnetic type work piece.



Efficient vacuum generator. ▶

6

SD300-WJS+3D WET ABRASIVE BELT+TOP BRUSHING SYSTEM

A combination we operation machine of abrasive belt and rotation type top brushing deburring system.



- The four stations can run together or separately for the deburring or edge rounding. The typical use is for the fine blanking parts and precision pressing parts.
- Magnetic feed system for small steel parts.
- Smooth edge and fine surface.



SD-H ABRASIVE FLAP+TOP BRUSH GRINDING AND DEBURRING MACHINE

- High quality deburring designed for factories those have no large quantity work pieces. Pneumatic levitation type deburring head, ease and effective deburring pressure control by finger. Self-control type vacuum table and automatic vacuum pressure' Jonsen patent. Work piece can be fixed on the vacuum table without extra fixtures.
- High effective dust extraction system used for collecting the grains and dust. Two deburring heads(rough and fine grit) share same power, 90°/180° freely turning. Heads exchange can be within 2 seconds, high effective. Quick change device for disk brush. Simple installation, integral design If there is some work pieces' size bigger than said working size, you still can process within the cantilever working range



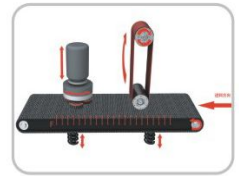
Why JONSEN?

1

JONSEN has been involved in the metal grinding deburring and finishing industry for over 20 years.

2

Modular design for the quick and flexible support for customers' various application.



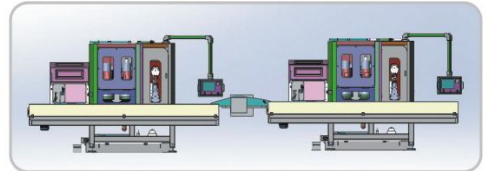
3

JONSEN's own development of abrasive products like belt, top brush, deburring roller for the total solution of the deburring and finishing.



4

Automatic deburring and work flow solution for customers.



5

Spare parts stock and technical support.

