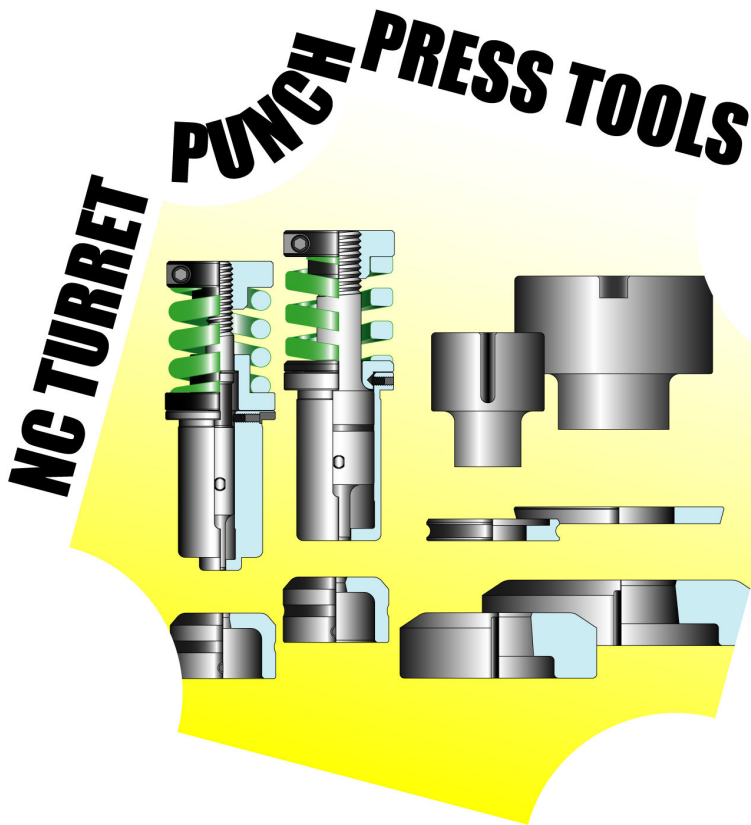


THIN TURRET TOOLING



ISO9001
JQA-2633



CONIC

AMADA TYPE TOOLING

Punch Press Tools Standard Specifications And Options

STANDARD SHAPES



RO



SQ



RE



OB



SD



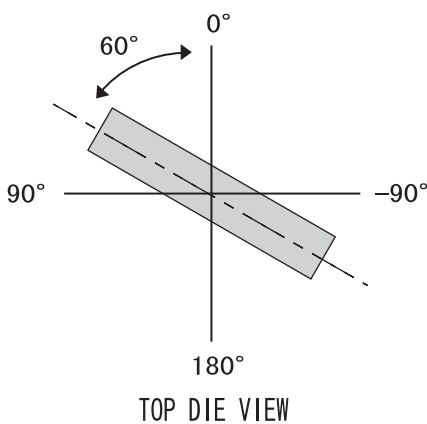
WD

PUNCHES-DIES STANDARD KEY POSITION SETTINGS (TOP VIEW)

	1/2" (A) STATION 1-1/4" (B) STATION	2" (C) STATION	3-1/2" (D) STATION 4-1/2" (E) STATION
PUNCHES			
DIES			

OPTIONAL KEY POSITION

Please specify die key pin position.



Punch Shear Angles

	ROOF TOP	RADIUS SHEAR	2-WAY CONCAVE
1/2" (A)	Add 1,500	Add 3,000	Add 3,000
1-1/4" (B)	Add 2,000		
2" (C)	FREE OF CHARGE	Add 4,000	Add 4,000
3-1/2" (D)		Add 5,000	Add 5,000
4-1/4" (E)		Add 6,000	Add 6,000

(UNIT JPY)

URETHANE KICKERS

Purpose of this unit is push down slug from the die.

Minimum size of the tool which we can put this unit is as followings.

- * Shaped Tools - over width 6mm
- * Round Tools - over $\phi 4$
- * Special Shapes and Width 4mm to 6mm - Please contact us.

■ BACK TAPER

We put back taper from punch edge to punch root of standard shape punches to reduce galling and premature punch wear.

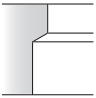
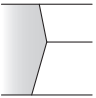
- * Standard Shapes - over width 5mm
- * Round Shapes - over $\phi 4$

■ PUNCH CORNERS

Over width 5mm of standard SQ and RE, we put small radius on the edge of punch corners to prevent punch corners chipping.

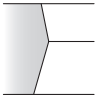

■ CUTTING EDGE OF THE DIES

[Round Tool]

TYPE OR EDGES	STREIGHT	SLUG CATCHER
		
1/2" (A) • 1-1/4" (B)	STANDARD	Add 4,500
over 2" (C)		Add 5,000


(UNIT JPY)

[Shaped Tool]

TYPE OR EDGES		SLUG CATCHER	ALL TAPER
			
STANDARDS	ALL STATIONS	STANDARD	Add 500
SPECIAL SHAPE	1/2" (A) • 1-1/4" (B)	Add 3,000	STANDARD
	over 2" (C)	Add 5,000	

(UNIT JPY)

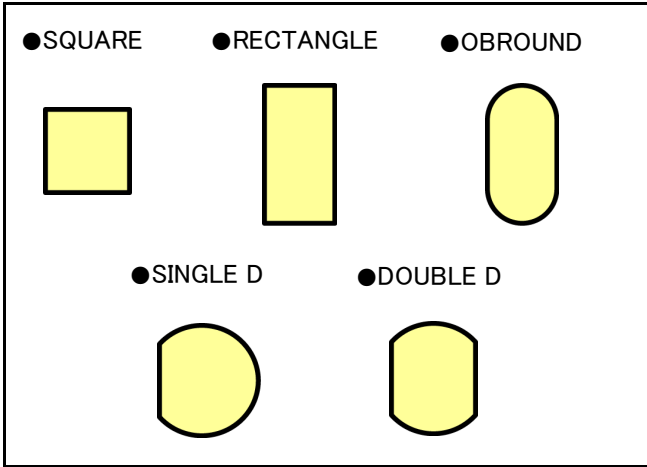
■ CONIC'S PUNCH VARIETIES (SUITABILITY)

GRADE	PUNCH TYPE	MATERIAL SHEET SUITABILITY			FEATURE
		Stainless Steel	Mild Steel	Aluminum	
 High-performance Cost performance	Super Dry Punch (SDP)	★★★★★	★★★★★	★★★	This tool shows best performance for automated punching systems without lubrication to the sheetmetal. It has the best strength, especially we recommend for high tensile steel and stainless steel.
	CONIC Hard Punch (CHP)	★★★	★★★★★	★★★★★	This punch has special treatment process on the HSS punch tip, which is not coating. It has longer life than standard HSS and good performance for adhesion. Especially we recommend for Galvanized steel & Aluminum punching.
	HSS	★★	★★★	★★★	This punch can be proceeded in Aluminum, Mild steel and Stainless steel with various materials. Many customers like this punch in the point of cost performance and durability.
	SKD	★	★★	★★	This is our standard material. It has good cost performance and you can use in all sheet material.

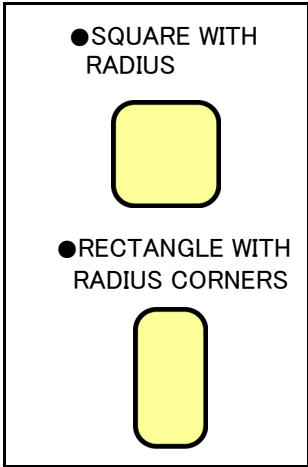
* We can supply Super Dry Punch in RO SQ RE OB only.

THIN TURRET TOOLING

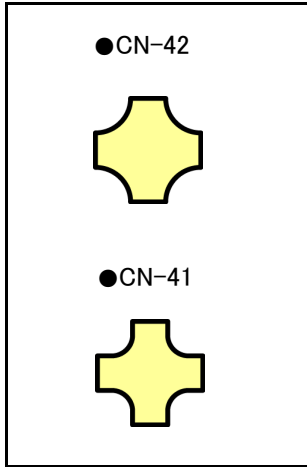
STANDARD SHAPES



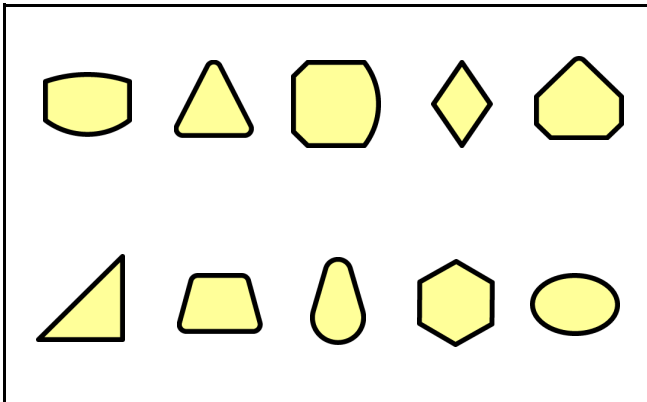
WITH RADIUS CORNERS



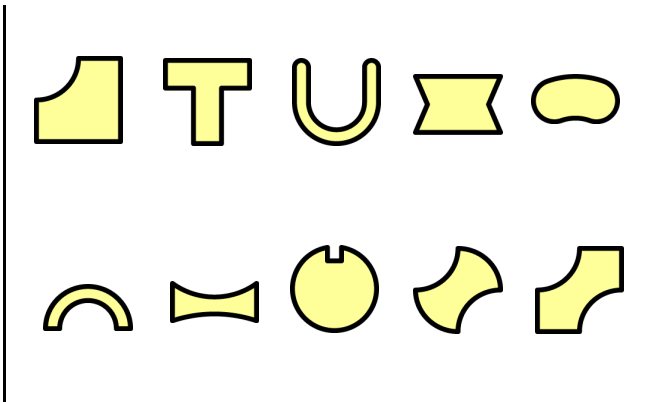
CORNER RAUNDIND



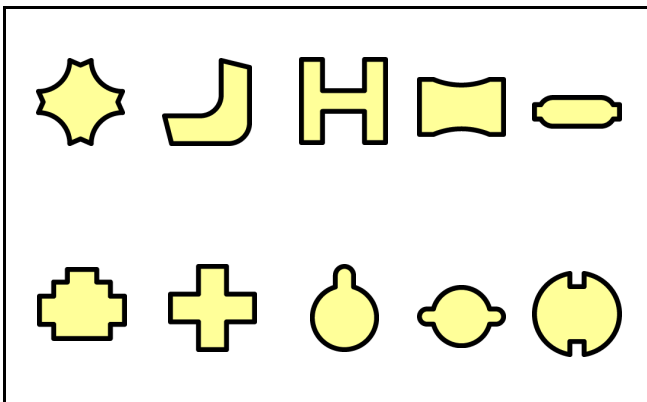
SPECIAL SHAPES (CLASS 1)



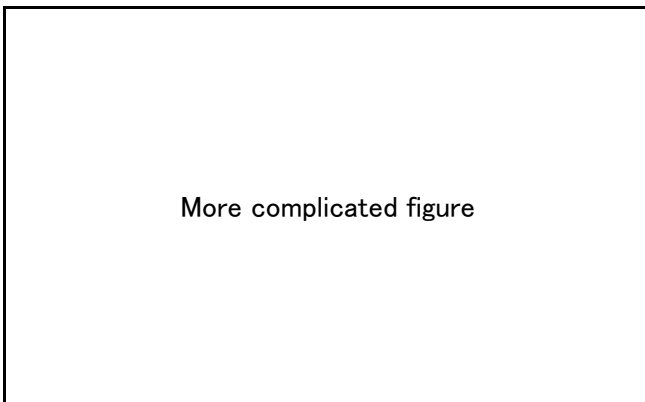
SPECIAL SHAPES (CLASS 2)



SPECIAL SHAPES (CLASS 3)



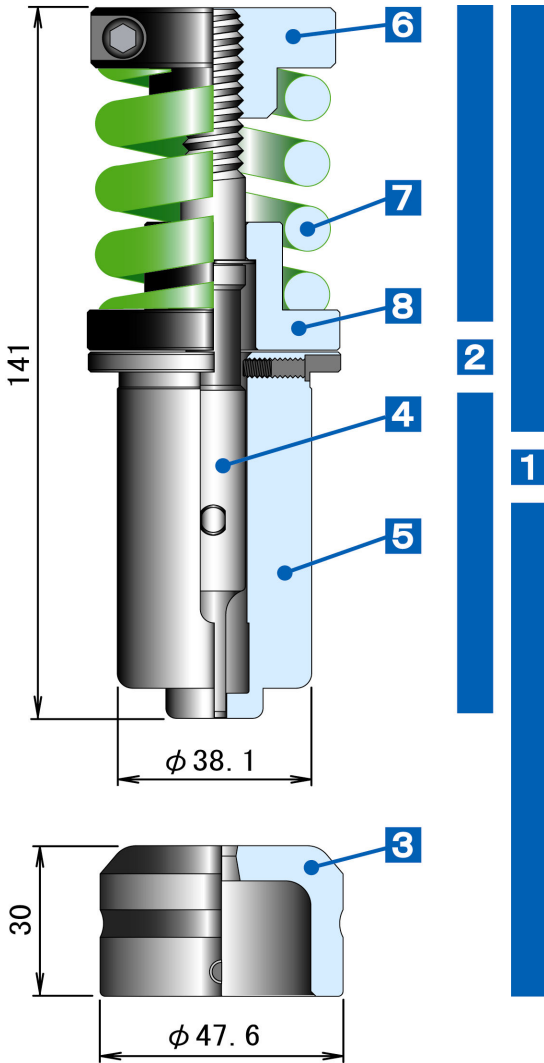
SPECIAL SHAPES (CLASS 4)



THIN TURRET TOOLING

1/2 in

- ROUNDS
- STANDARD SHAPES



ROUNDS

■ Diameters 1mm-2.3mm

Description	
1	SET ASSEMBLY
2	PUNCH ASSEMBLY
3	DIE
4	PUNCH BODY
5	GUIDE

■ Diameters 2.4mm-10.9mm

Description	
1	SET ASSEMBLY
2	PUNCH ASSEMBLY
3	DIE
4	PUNCH BODY
5	GUIDE

STANDARD SHAPES

■ Widths 1mm-1.6mm

Description	
1	SET ASSEMBLY
2	PUNCH ASSEMBLY
3	DIE
4	PUNCH BODY
5	GUIDE

■ Widths over 1.7mm

Description	
1	SET ASSEMBLY
2	PUNCH ASSEMBLY
3	DIE
4	PUNCH BODY
5	GUIDE

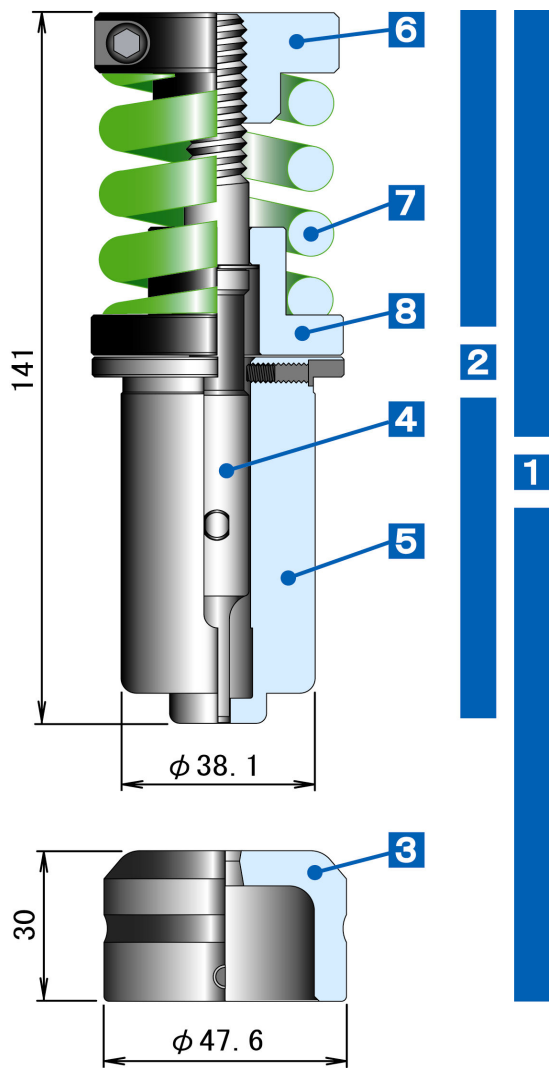
OTHER PARTS

Description	
6	PUNCH HEAD
7	SPRING
8	SPRING RETAINER

THIN TURRET TOOLING

1/2 in

- SPECIAL SHAPES
- CORNER ROUNDING



SPECIAL SHAPES

■ CLASS 1

Description	
1	SET ASSEMBLY
2	PUNCH ASSEMBLY
3	DIE
4	PUNCH BODY

■ CLASS 2

Description	
1	SET ASSEMBLY
2	PUNCH ASSEMBLY
3	DIE
4	PUNCH BODY

■ CLASS 3

Description	
1	SET ASSEMBLY
2	PUNCH ASSEMBLY
3	DIE
4	PUNCH BODY

■ CLASS 4
Please request the quotation.

CORNER ROUNDING

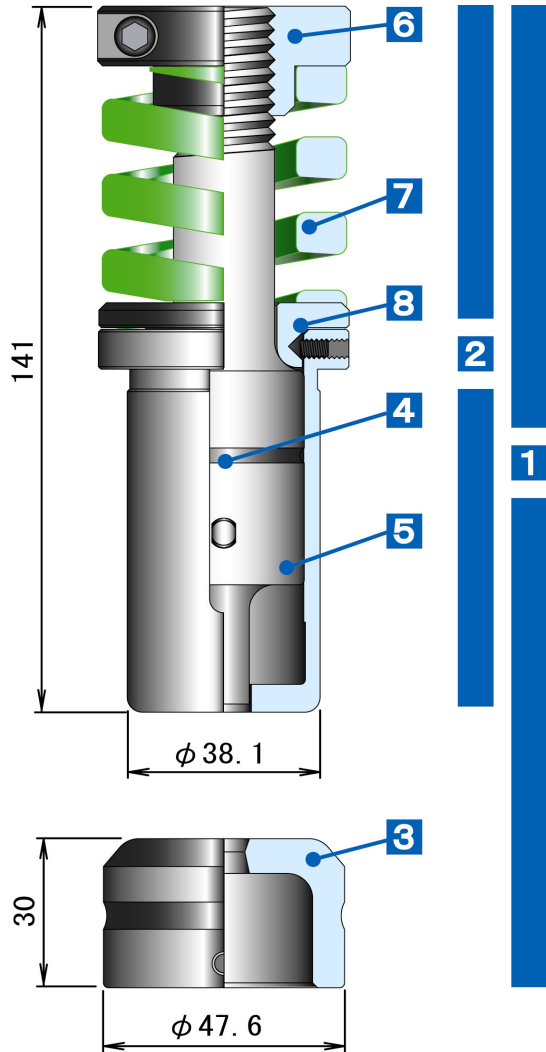
Description	
1	SET ASSEMBLY
2	PUNCH ASSEMBLY
3	DIE
4	PUNCH BODY

CONIC

THIN TURRET TOOLING

1 1/4 in

- ROUNDS
- STANDARD SHAPES



ROUNDS

■ Diameters 11mm-31.7mm

Description	
1	SET ASSEMBLY
2	PUNCH ASSEMBLY
3	DIE
4	PUNCH BODY
5	GUIDE

STANDARD SHAPES

■ Widths 1mm-1.6mm

Description	
1	SET ASSEMBLY
2	PUNCH ASSEMBLY
3	DIE
4	PUNCH BODY
5	GUIDE

■ Widths over 1.6mm

Description	
1	SET ASSEMBLY
2	PUNCH ASSEMBLY
3	DIE
4	PUNCH BODY
5	GUIDE

OTHER PARTS

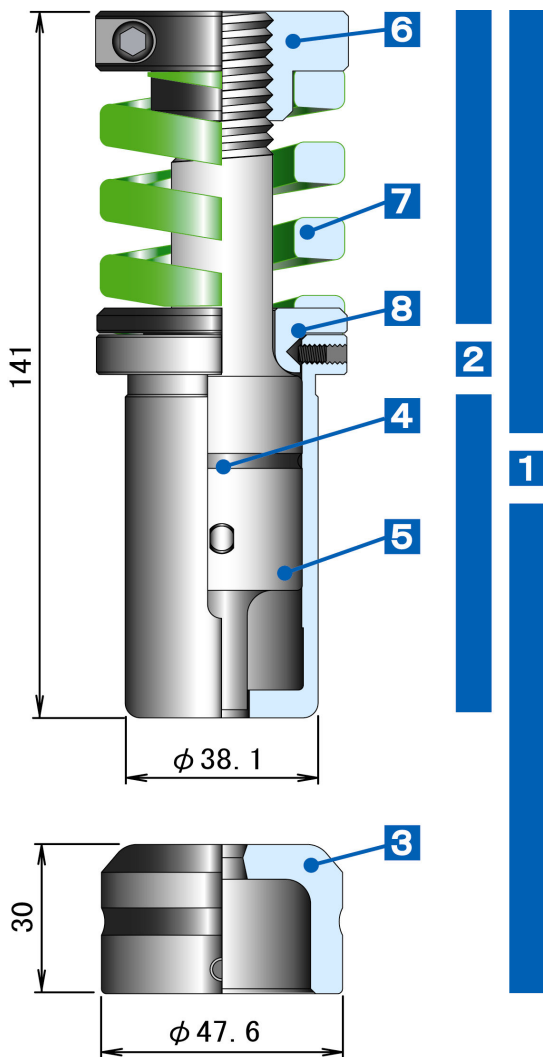
Description	
6	PUNCH HEAD
7	SPRING
8	SPRING RETAINER

CONIC

THIN TURRET TOOLING

1 1/4 in

- SPECIAL SHAPES
- CORNER ROUNDING



SPECIAL SHAPES

CLASS 1

Description	
1	SET ASSEMBLY
2	PUNCH ASSEMBLY
3	DIE
4	PUNCH BODY

CLASS 2

Description	
1	SET ASSEMBLY
2	PUNCH ASSEMBLY
3	DIE
4	PUNCH BODY

CLASS 3

Description	
1	SET ASSEMBLY
2	PUNCH ASSEMBLY
3	DIE
4	PUNCH BODY

CLASS 4

Please request the quotation.

CORNER ROUNDING

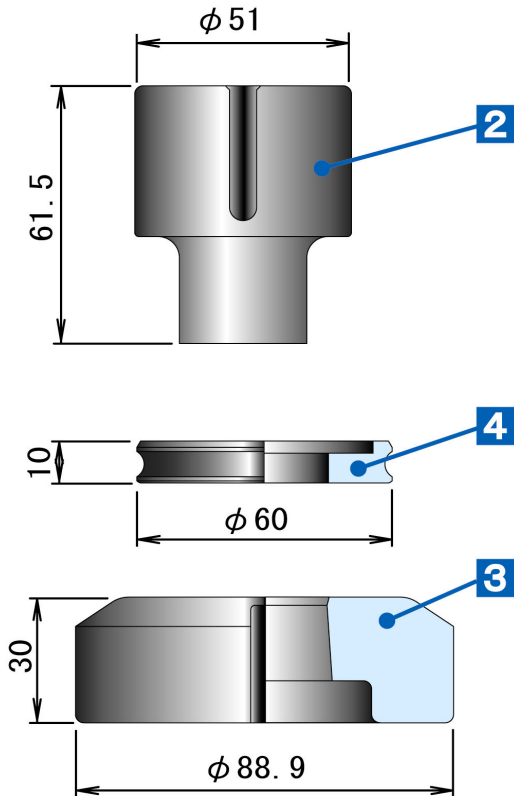
Description	
1	SET ASSEMBLY
2	PUNCH ASSEMBLY
3	DIE
4	PUNCH BODY

CONIC

THIN TURRET TOOLING

2 in

- ROUNDS
- STANDARD SHAPES



ROUNDS

■ Diameters 31.8mm–50.8mm

Description	
1	SET ASSEMBLY
2	PUNCH BODY
3	DIE
4	STRIPPER PLATE

STANDARD SHAPES

■ Widths 1mm–2.6mm

Description	
1	SET ASSEMBLY
2	PUNCH BODY
3	DIE
4	STRIPPER PLATE

■ Widths over 2.6mm

Description	
1	SET ASSEMBLY
2	PUNCH BODY
3	DIE
4	STRIPPER PLATE

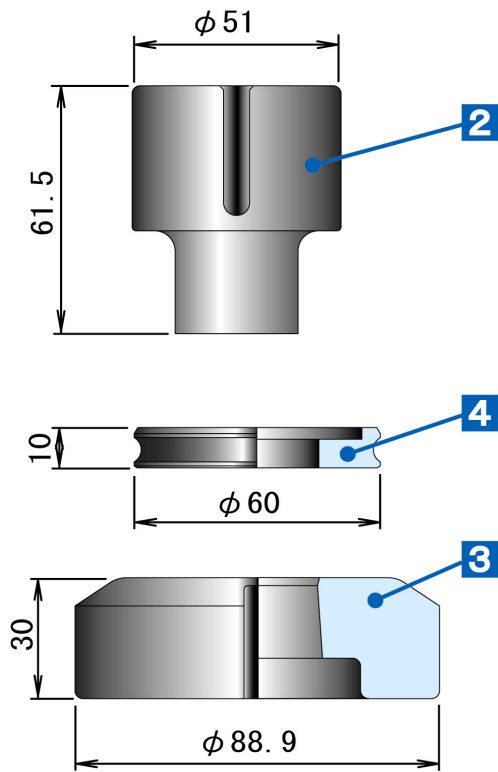
1

GUIDE ASSEMBLY

Description	
5	FOR ROUNDS
6	FOR SHAPES

CONIC

THIN TURRET TOOLING



SPECIAL SHAPES

CLASS 1

Description	
1	SET ASSEMBLY
2	PUNCH BODY
3	DIE
4	STRIPPER PLATE

CLASS 2

Description	
1	SET ASSEMBLY
2	PUNCH BODY
3	DIE
4	STRIPPER PLATE

CLASS 3

Description	
1	SET ASSEMBLY
2	PUNCH BODY
3	DIE
4	STRIPPER PLATE

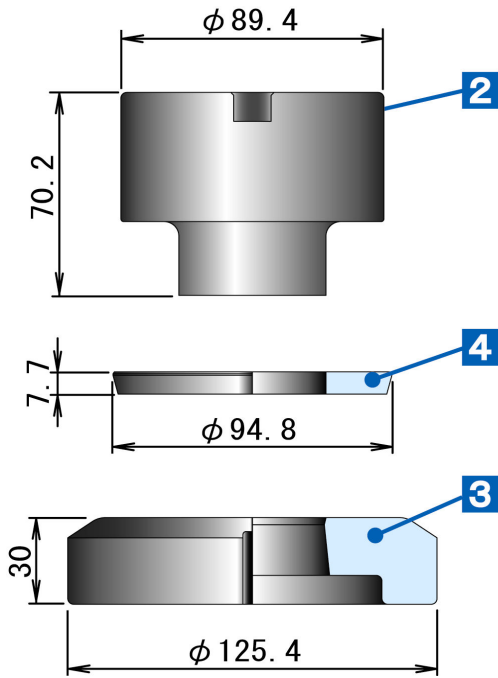
CLASS 4

Please request the quotation.

THIN TURRET TOOLING

3 1/2 in

- ROUNDS
- STANDARD SHAPES



ROUNDS

■ Diameters 50.8mm–88.9mm

Description	
1	SET ASSEMBLY
2	PUNCH BODY
3	DIE
4	STRIPPER PLATE

STANDARD SHAPES

■ Widths 1mm–2.6mm

Description	
1	SET ASSEMBLY
2	PUNCH BODY
3	DIE
4	STRIPPER PLATE

■ Widths over 2.6mm

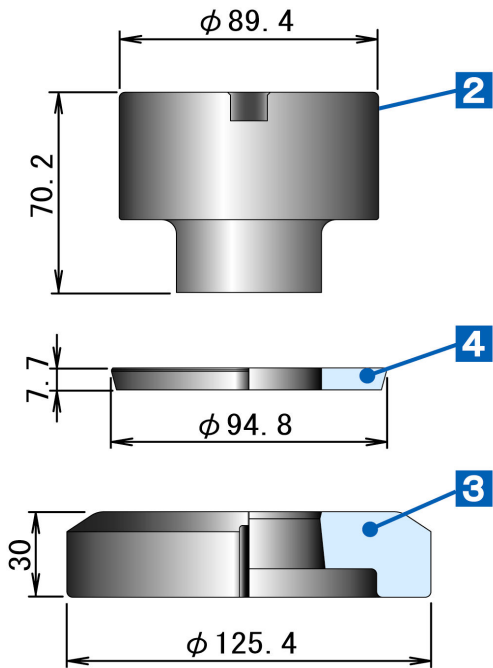
Description	
1	SET ASSEMBLY
2	PUNCH BODY
3	DIE
4	STRIPPER PLATE

GUIDE ASSEMBLY

Description	
5	FOR ROUNDS
6	FOR SHAPES

CONIC

THIN TURRET TOOLING



SPECIAL SHAPES

■ CLASS 1

Description	
1	SET ASSEMBLY
2	PUNCH BODY
3	DIE
4	STRIPPER PLATE

■ CLASS 2

Description	
1	SET ASSEMBLY
2	PUNCH BODY
3	DIE
4	STRIPPER PLATE

■ CLASS 3

Description	
1	SET ASSEMBLY
2	PUNCH BODY
3	DIE
4	STRIPPER PLATE

■ CLASS 4

Please request the quotation.

CONIC